

# PROJECTING CILL CHANGES AND INSTRUCTIONS

Dear Customer

Due to VEKA's rationalisation programme, our range of projecting cills has changed as follows:-

<b>Old Offering:</b>	<b>85</b>	<b>120</b>	<b>160</b>	<b>200</b>
<b>New Offering:</b>	<b>85</b>	<b>120</b>	<b>150</b>	<b>180</b>

This Technical Update explains and illustrates the effect of this change – please **click** on the following two drawing links below as way of full explanation:

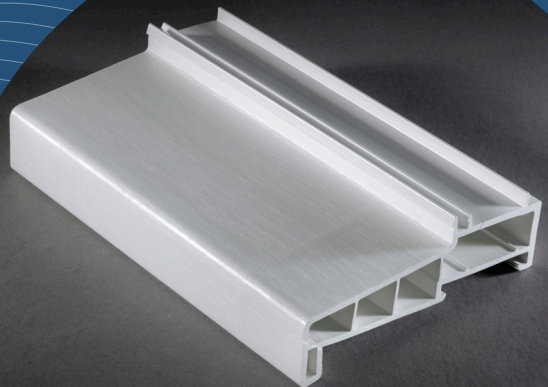
[Installer Cill Rationalisation](#)

[Installer Rationalised Projecting Cill Options](#)

The above show how the range has been rationalised and how to fit the new projecting cills. The adaptor profile which will be pre-fitted is indicated.

If you require any further information, Ray Rabett, our Technical & Compliance Director will be available to contact telephonically on **01376-510410** or by e-mail on **ramon@masterframe.co.uk**.

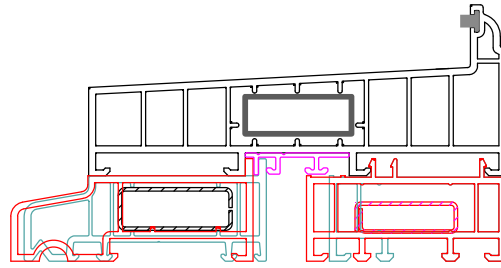
Best Regards  
The Masterframe Team



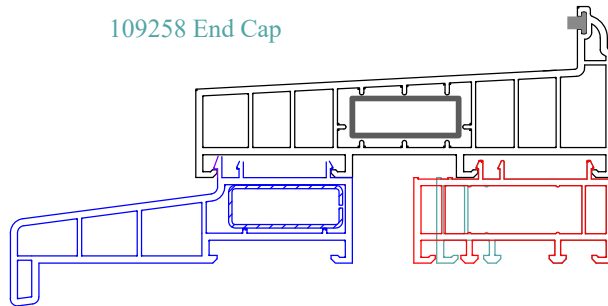
# Projecting Cills Rationalisation

## Legend

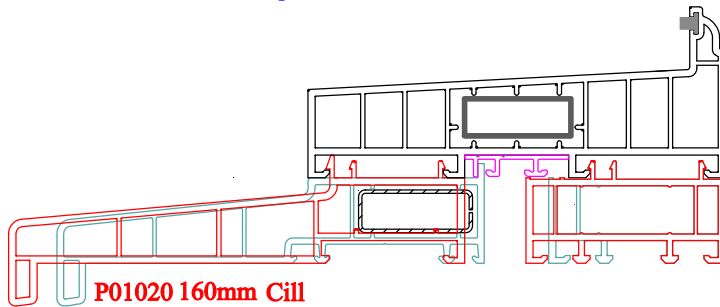
- Existing Parts
- Obsolete Parts
- Replacement Parts
- New Adapter Profile for fit & orientation



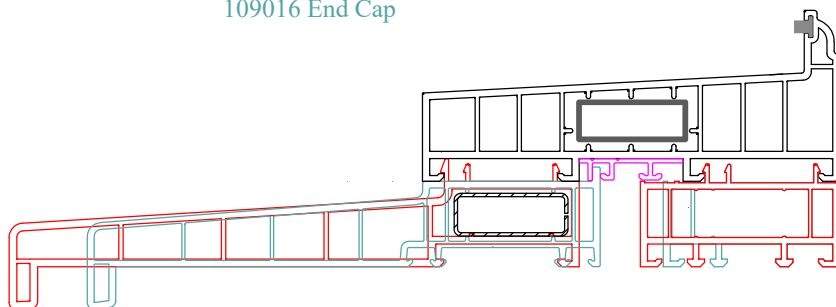
**P50039 85mm Stub Cill**    **P01091 30mm Packer**  
**M00137 End Cap**            **PVC-U 714802, 30mm Packer**  
    **713155 Steel**  
**PVC-U 110122, 85mm Stub Cill**  
**713016 Steel**  
**109258 End Cap**



**PVC-U P01018, 120 mm Stub Cill**    **P01091 30mm Packer**  
**713016 Steel**                            **PVC-U 714802, 30mm Packer**  
**709022 End Cap**                        **713155 Steel**



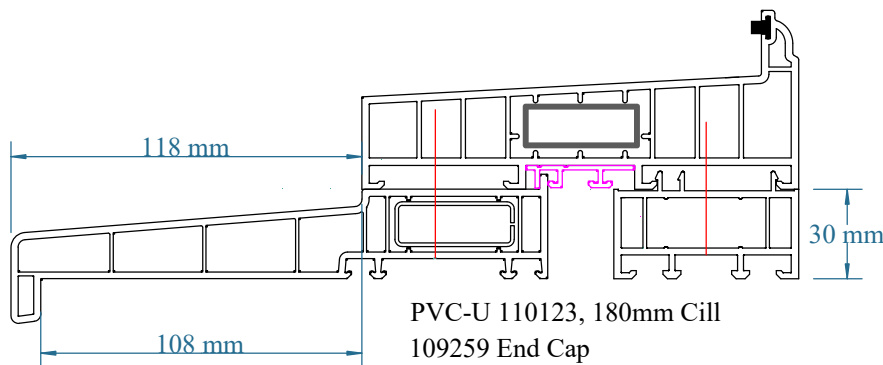
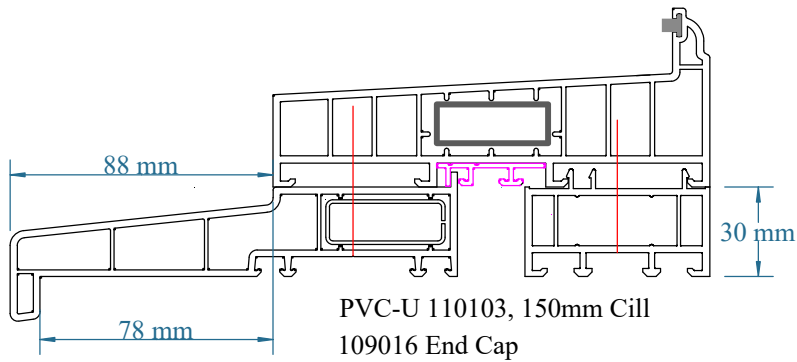
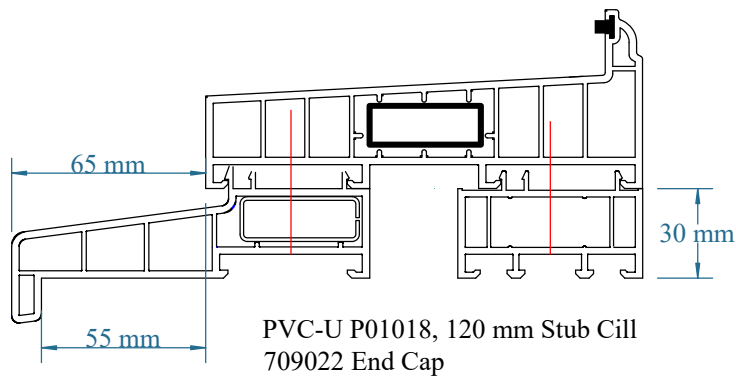
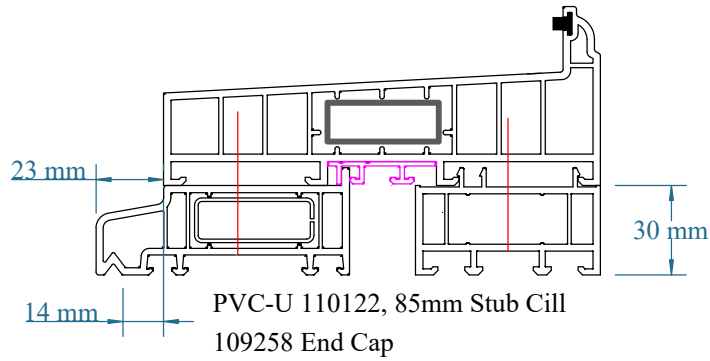
**P01020 160mm Cill**                            **P01091 30mm Packer**  
**M00025 End Cap**                            **PVC-U 714802, 30mm Packer**  
**PVC-U 110103, 150mm Cill**                **713155 Steel**  
**713016 Steel**  
**109016 End Cap**



**P01044 200mm Cill**                            **P01091 30mm Packer**  
**M00033 End Cap**                            **PVC-U 714802, 30mm Packer**  
**PVC-U 110123, 180mm Cill**                **713155 Steel**  
**713016 Steel**  
**109259 End Cap**

<b>masterframe</b> 4 Crittall Road Witham Essex CM8 3DR 01376 510410 www.masterframe.co.uk Registered in England: 2272659		Title: Projecting Cill Rationalisation	
		Original Drawing date: 18 - 03 - 2021	
		Drawn By: R Rabett	
Revision History			
REV	Amendment	BY	Date
Copyright Notice		DOI NOT SCALE Dimensions in mm	
<small>The contents of this drawing are the copyright and intellectual property of Masterframe Windows Ltd. In the event of this drawing being used in a commercial application, the user must obtain written permission from Masterframe Windows Ltd.</small>		DWG Reference: ...	

# Projecting Cills



**Screw fix cills and packers to Integral cill @ 300mm centres, using 3.9mm or 4.3mm by 40mm or max 45mm screws.**

<b>masterframe</b> 4 Crittall Road Witham Essex CM8 3DR 01376 510410 www.masterframe.co.uk Registered in England: 2272659		Title: Projecting Cill Rationalisation	
		Original Drawing date: 18 - 03 - 2021	
		Drawn By: R Rabett	
Revision History			
REV	Amendment	BY	Date
Copyright Notice		DO NOT SCALE Dimensions in mm	
<small>The contents of this drawing are the copyright of Masterframe Property and Construction Products Ltd. No part of this drawing may be reproduced, stored in a retrieval system, or transmitted in any form or by any means, electronic, mechanical, photocopying, recording, or by any information storage and retrieval system, without prior written permission of Masterframe Property Ltd.</small>		DWG Reference: ...	